

## Whitewater Outlaw Match Jul 25, 2018

7/22/2018

## Match Results Combined

Shooter				Final		Bay 3 - Bad Day In The Ne...					Bay 5 - Parking Lot Robbery				
Final	Name	Number	Division	Time	PD	Raw	PD	P	Fin	Rank	Raw	PD	P	Fin	Rank
1	Feghali, Carl	XXX	PCC	37.75	0	24.15	0	0	24.15	1	13.60	0	0	13.60	1
2	David, Troy	XXX	SSP	44.73	8	18.51	7	0	25.51	2	18.22	1	0	19.22	8
3	Hassinger, Russ	TY85389	SSP	45.34	11	20.66	8	0	28.66	4	13.68	3	0	16.68	4
4	Hendricks, Steven	XXX	SSP	47.52	18	17.20	12	0	29.20	5	12.32	6	0	18.32	6
5	Okuma, Kameron	A21675	SSP	49.17	16	19.01	15	0	34.01	11	14.16	1	0	15.16	2
6	Hill, David	XXX	SSP	49.82	23	14.46	16	0	30.46	7	12.36	7	0	19.36	9
7	DeJong, Todd	XXX	SSP	50.31	14	23.06	12	0	35.06	12	13.25	2	0	15.25	3
8	Alcantara, D.C.	XXX	SSP	50.38	14	22.76	9	0	31.76	9	13.62	5	0	18.62	7
9	Yergenson, Miles	XXX	SSP	51.74	4	25.90	4	0	29.90	6	21.84	0	0	21.84	11
10	Hill, Amanda	XXX	SSP	56.86	14	23.61	4	0	27.61	3	19.25	10	0	29.25	14
11	Miller, Christopher	XXX	SSP	61.90	13	29.40	7	0	36.40	13	19.50	6	0	25.50	13
12	Kempton, Larry	XXX	SSP	63.67	5	35.85	5	0	40.85	14	22.82	0	0	22.82	12
13	Walters, Laurel	XXX	SSP	63.98	4	30.16	1	0	31.16	8	29.82	3	0	32.82	16
14	Richardson, Jamie	A43629	SSP	64.86	16	26.71	6	0	32.71	10	17.15	10	5	32.15	15
15	DiMarchi, Paul	XXX	SSP	65.90	19	25.16	19	0	44.16	16	21.74	0	0	21.74	10
16	Groves, John	XXX	PCC	65.93	0	48.33	0	0	48.33	21	17.60	0	0	17.60	5
17	Masquelier, Josh	XXX	SSP	77.83	13	32.74	9	0	41.74	15	32.09	4	0	36.09	19
18	dean, douglas	XXX	SSP	83.24	21	31.31	14	3	48.31	20	27.93	7	0	34.93	17
19	Ishida, Daniel	XXX	SSP	85.10	25	31.68	18	0	49.68	22	28.42	7	0	35.42	18
20	Grover, Ralph	XXX	SSP	91.88	32	29.31	17	0	46.31	19	30.57	15	0	45.57	20
21	Throop, Dorothy	XXX	SSP	94.45	29	36.35	9	0	45.35	17	29.10	20	0	49.10	21
22	Throop, David	XXX	SSP	96.06	20	43.38	2	0	45.38	18	27.68	18	5	50.68	22
23	Okuma, Sophal	A116077	SSP	112...	47	31.51	27	0	58.51	23	33.88	20	0	53.88	23

## Whitewater Outlaw Match Jul 25, 2018

7/22/2018

## Match Results Most Accurate

## Most Accurate

Shooter			Final		Bay 3 - Bad Day In The Ne...					Bay 5 - Parking Lot Robbery				
Final	Name	Number	Time	PD	Raw	PD	P	Fin	Rank	Raw	PD	P	Fin	Rank
1	Feghali, Carl	XXX	37.75	0	24.15	0	0	24.15	1	13.60	0	0	13.60	1
2	Groves, John	XXX	65.93	0	48.33	0	0	48.33	21	17.60	0	0	17.60	5
3	Yergenson, Miles	XXX	51.74	4	25.90	4	0	29.90	6	21.84	0	0	21.84	11
4	Walters, Laurel	XXX	63.98	4	30.16	1	0	31.16	8	29.82	3	0	32.82	16
5	Kempton, Larry	XXX	63.67	5	35.85	5	0	40.85	14	22.82	0	0	22.82	12
6	David, Troy	XXX	44.73	8	18.51	7	0	25.51	2	18.22	1	0	19.22	8
7	Hassinger, Russ	TY85389	45.34	11	20.66	8	0	28.66	4	13.68	3	0	16.68	4
8	Miller, Christopher	XXX	61.90	13	29.40	7	0	36.40	13	19.50	6	0	25.50	13
9	Masquelier, Josh	XXX	77.83	13	32.74	9	0	41.74	15	32.09	4	0	36.09	19
10	DeJong, Todd	XXX	50.31	14	23.06	12	0	35.06	12	13.25	2	0	15.25	3
11	Alcantara, D.C.	XXX	50.38	14	22.76	9	0	31.76	9	13.62	5	0	18.62	7
12	Hill, Amanda	XXX	56.86	14	23.61	4	0	27.61	3	19.25	10	0	29.25	14
13	Okuma, Kameron	A21675	49.17	16	19.01	15	0	34.01	11	14.16	1	0	15.16	2
14	Hendricks, Steven	XXX	47.52	18	17.20	12	0	29.20	5	12.32	6	0	18.32	6
15	DiMarchi, Paul	XXX	65.90	19	25.16	19	0	44.16	16	21.74	0	0	21.74	10
16	dean, douglas	XXX	83.24	21	31.31	14	3	48.31	20	27.93	7	0	34.93	17
17	Hill, David	XXX	49.82	23	14.46	16	0	30.46	7	12.36	7	0	19.36	9
18	Ishida, Daniel	XXX	85.10	25	31.68	18	0	49.68	22	28.42	7	0	35.42	18
19	Throop, Dorothy	XXX	94.45	29	36.35	9	0	45.35	17	29.10	20	0	49.10	21
20	Grover, Ralph	XXX	91.88	32	29.31	17	0	46.31	19	30.57	15	0	45.57	20
21	Okuma, Sophal	A116077	112...	47	31.51	27	0	58.51	23	33.88	20	0	53.88	23

# Stage #1

# Bad Day in the Neighborhood

**RULES:** IDPA Rule Book 2005  
**CONCEALMENT GARMENT:** Required

**COURSE DESIGNER:** Jon Santini

**STARTING POSITION:** Standing at P1, hands relaxed at sides, loaded to division capacity.

**SCENARIO:** While standing in your neighbors driveway discussing the upcoming NASCAR race, you see 2 armed thugs approach your neighbor from behind. Once you take care of them, you head back to your house and are surprised by 4 more thugs approaching your position at the fence. Time to take out the trash!

**STAGE PROCEDURE:** Start at P1 with your hands relaxed at your sides arms-length from the non-threat. At the start signal, draw and engage T1 & T2 with 2 shots each to the body while retreating to cover. Move to P2 and engage T3—T6 with 2 shots each *to the body.* *Then* engage T3—T6 with 1 head shot each.

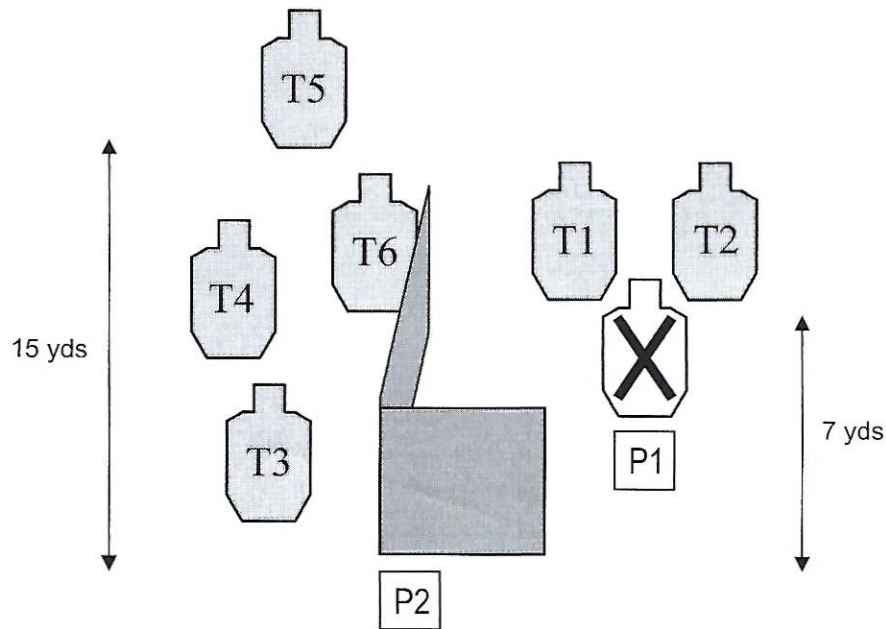
**Notes:**

- T1 & T2 must be shot on the move while retreating.
- Missed head shots on T3-T6 count as 5 points down and will score and FTN.
- *TWO MANDATORY RELOADS*

**SCORING:** Vickers Count  
**ROUND COUNT:** 16 Minimum  
**SCORED HITS:** Best 2 body shots on T1 - T6 and 4 required head shots on T3 - T6.

**RELOADS:** Any IDPA reloads  
**START-STOP:** Audible and last shot

## Bay 3



### Prop List

- 3—4 Walls
- 7 Target Stands
- 14 Target Uprights
- 6 Threat Targets
- 1 No-Shoot Target

Big Darby Creek Shooting Range  
IDPA Match - May 23, 2009

## Whitewater Outlaw Match Jul 25, 2018

7/22/2018

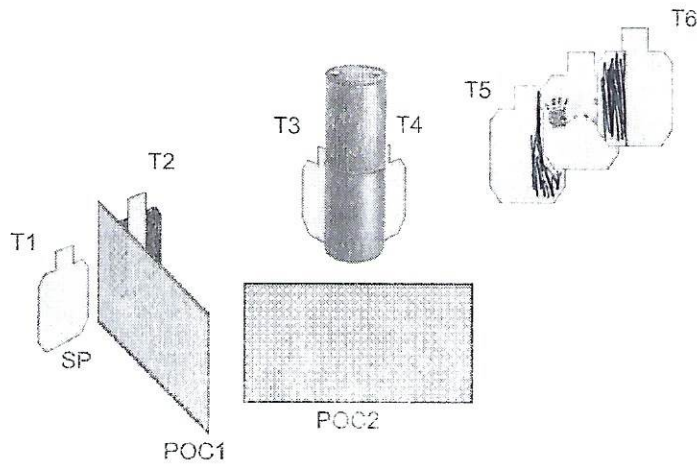
## Bay 3 - Bad Day In The Neighborhood

Shooter		Stage 1				
Name	Division	Raw	PD	P	Fin	Diff
Feghali, Carl	PCC	24.15	0	0	24.15	Win
David, Troy	SSP	18.51	7	0	25.51	1.36
Hill, Amanda	SSP	23.61	4	0	27.61	3.46
Hassinger, Russ	SSP	20.66	8	0	28.66	4.51
Hendricks, Steven	SSP	17.20	12	0	29.20	5.05
Yergenson, Miles	SSP	25.90	4	0	29.90	5.75
Hill, David	SSP	14.46	16	0	30.46	6.31
Walters, Laurel	SSP	30.16	1	0	31.16	7.01
Alcantara, D.C.	SSP	22.76	9	0	31.76	7.61
Richardson, Jamie	SSP	26.71	6	0	32.71	8.56
Okuma, Kameron	SSP	19.01	15	0	34.01	9.86
DeJong, Todd	SSP	23.06	12	0	35.06	10.91
Miller, Christopher	SSP	29.40	7	0	36.40	12.25
Kempton, Larry	SSP	35.85	5	0	40.85	16.70
Masquelier, Josh	SSP	32.74	9	0	41.74	17.59
DiMarchi, Paul	SSP	25.16	19	0	44.16	20.01
Throop, Dorothy	SSP	36.35	9	0	45.35	21.20
Throop, David	SSP	43.38	2	0	45.38	21.23
Grover, Ralph	SSP	29.31	17	0	46.31	22.16
dean, douglas	SSP	31.31	14	3	48.31	24.16
Groves, John	PCC	48.33	0	0	48.33	24.18
Ishida, Daniel	SSP	31.68	18	0	49.68	25.53
Okuma, Sophal	SSP	31.51	27	0	58.51	34.36

# Parking Lot Robbery

<b>RULES:</b> IDPA Rules	<b>COURSE DESIGNER:</b> TimDouglas
<b>START POSITION:</b> Standing at start position (SP), hands above shoulders, gun loaded to division capacity and holstered.	
<b>SCENARIO:</b> You are going back to your car after a concert when you're attacked and told to hand over your wallet and other valuables. While reaching for your wallet, you decide to defend yourself instead.	<b>SCORING:</b> Unlimited
	<b>ROUND COUNT:</b> 18
<b>PROCEDURE:</b> At signal, draw and engage T1 with 3 rounds with 3 rounds each using available cover. then engage T2-T6	<b>TARGETS:</b> 06
	<b>DISTANCE:</b> 2-12 yards
<b>TWO MANDATORY RELOADS</b>	<b>SCORED HITS:</b> Best 3 hits per target
	<b>PENALTIES:</b>
	<b>CONCEALMENT:</b> Yes
<b>NOTES:</b> T4-T6 are all hidden by the barrels from left of POC2	

**Bay 5**



## Whitewater Outlaw Match Jul 25, 2018

7/22/2018

## Bay 5 - Parking Lot Robbery

Shooter		Stage 3				
Name	Division	Raw	PD	P	Fin	Diff
Feghali, Carl	PCC	13.60	0	0	13.60	Win
Okuma, Kameron	SSP	14.16	1	0	15.16	1.56
DeJong, Todd	SSP	13.25	2	0	15.25	1.65
Hassinger, Russ	SSP	13.68	3	0	16.68	3.08
Groves, John	PCC	17.60	0	0	17.60	4.00
Hendricks, Steven	SSP	12.32	6	0	18.32	4.72
Alcantara, D.C.	SSP	13.62	5	0	18.62	5.02
David, Troy	SSP	18.22	1	0	19.22	5.62
Hill, David	SSP	12.36	7	0	19.36	5.76
DiMarchi, Paul	SSP	21.74	0	0	21.74	8.14
Yergenson, Miles	SSP	21.84	0	0	21.84	8.24
Kempton, Larry	SSP	22.82	0	0	22.82	9.22
Miller, Christopher	SSP	19.50	6	0	25.50	11.90
Hill, Amanda	SSP	19.25	10	0	29.25	15.65
Richardson, Jamie	SSP	17.15	10	5	32.15	18.55
Walters, Laurel	SSP	29.82	3	0	32.82	19.22
dean, douglas	SSP	27.93	7	0	34.93	21.33
Ishida, Daniel	SSP	28.42	7	0	35.42	21.82
Masquelier, Josh	SSP	32.09	4	0	36.09	22.49
Grover, Ralph	SSP	30.57	15	0	45.57	31.97
Throop, Dorothy	SSP	29.10	20	0	49.10	35.50
Throop, David	SSP	27.68	18	5	50.68	37.08
Okuma, Sophal	SSP	33.88	20	0	53.88	40.28